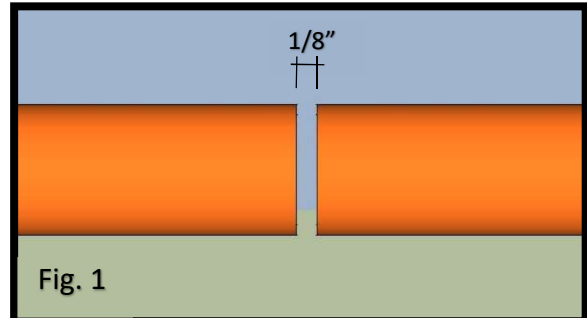


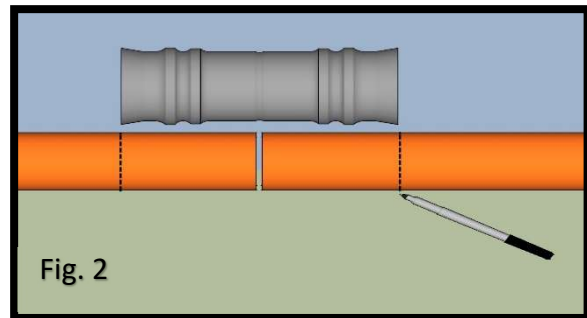
Cobalt Couplers

Installation Instructions:

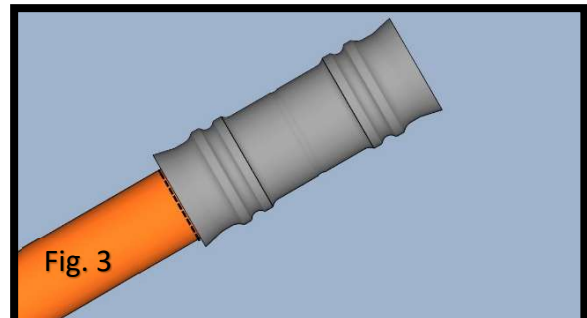
1. Cut conduit being coupled so that there is an $1/8''$ gap between pipes as shown in Fig. 1 (Deburr both ends to ease installation)



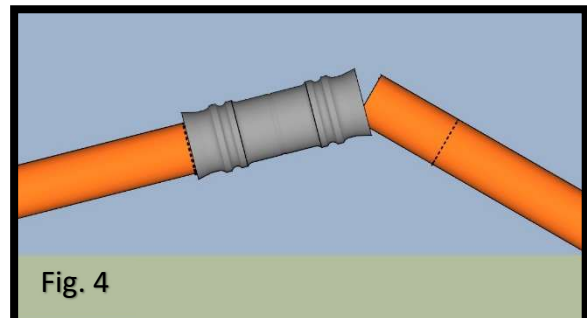
2. Hold coupler-centered between ends of pipe and mark conduit as shown in Fig. 2



3. Push coupler onto first pipe as shown in Fig. 3



4. Feed second pipe into coupler as shown in Fig. 4



*For ease of coupling pipes in confined areas, bevel second pipe $1/2''$ from end as shown in Fig. 5. (This will help feed pipe into coupler)

